

# FILTERCART™ ORIGINAL

A mobile and robust filter unit for light-duty welding applications in engineering and repair workshops



For safe working environment, a robust filter unit with economic benefits and user-friendly design

The **FilterCart™ Original** offers a number of functions such as:

- Excellent filtration efficiency
- Long filter lifetime
- High capturing efficiency
- Functional and simple design
- Efficient spotlight
- Low noise level

Values like:

- Minimum service requirements
- Quick and easy maintenance
- Low filter replacement cost
- No installation time/cost
- Plug-in, ready to use

...all support optimal economy.

...these are all important factors to secure safe and easy operation.

*The FilterCart™ Original =  
A choice without compromises*

Improving your workspace

# Clean fresh air in the workshop

## Technical information

### FilterCart™ Original

Part no.	Voltage	kW	Arm length
12621245	230V / 50Hz, 1~	0.75	2m
12623245	240V / 50Hz, 1~*	0.75	2m
12622245	110V / 50Hz, 1~	0.75	2m
12624245	120V / 60Hz, 1~	0.75 (1hp)	2m
12621345	230V / 50Hz, 1~	0.75	3m
12623345	240V / 50Hz, 1~*	0.75	3m
12622345	110V / 50Hz, 1~	0.75	3m
12624345	120V / 60Hz, 1~	0.75 (1hp)	3m

\* with UK-plug

Air flow  
Up to 1050 m<sup>3</sup>/h

## Replacement filter

### Part no. 12374023

35 m<sup>2</sup> flame retardant pleated cellulose material. > 99% efficiency for welding fume. Measured according to the test procedures in EN 15012-1.

## Accessories

### HEPA filter H13

#### Part no. 12374016

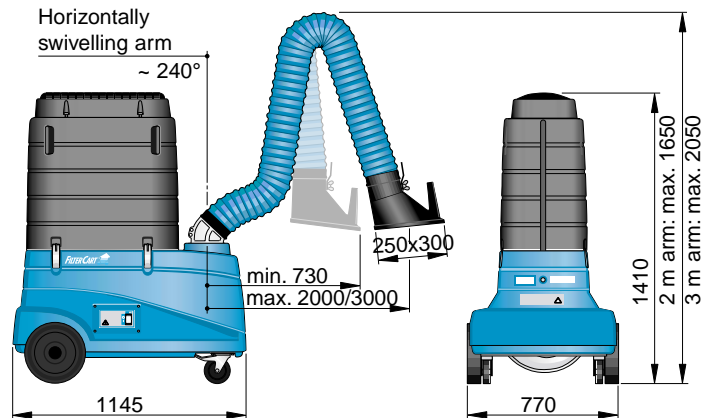
7.5 m<sup>2</sup> high efficiency final filter, class H13.

### Spark protection

#### Part no. 10372650

For mounting in the hood. To reduce risk of fire.

## Dimensions



## Dust-free filter replacement



Slacken and lift up the filter cover.

Use the plastic bag from the new filter cartridge to pull and seal over the used filter.

The unit is now ready for disposal.

Fit the new filter cartridge and the filter cover.

## Environmental data

	with 2m arm	with 3m arm
Weight (kg)	71	73
Noise level dB(A)*	73	
Recovery level, % of weight, without filter	90 %	
* Measured according to ISO EN 11204.		

For Nederman complete product range please see our Product Catalogue.

The majority of Nederman's products are manufactured within ISO 9001 and ISO 14001-certified system.

Manufacturer:  
**AB Ph. Nederman & Co**  
Sydhamsngatan 2  
SE-252 28 Helsingborg  
Sweden

E-mail: support@nederman.se  
Tel.: Int. +46 42 18 87 00  
Fax: Int. +46 42 14 79 71  
www.nederman.com

Rights reserved for modification of design and measurements.

**Nederman**<sup>®</sup>  
Improving your workspace